

Manual Supplement

Manual Title:	718 30G/100G Users Manual	Supplement Issue:	1
Part Number:	CD Only	Issue Date:	10/04
Print Date:	July 1998	Page Count:	6
Revision/Date:	3, 12/02		

This supplement contains information necessary to ensure the accuracy of the above manual.

Change #1

On page 6, under *Getting Acquainted with the Calibrator*, delete the last sentence in the 3rd paragraph.

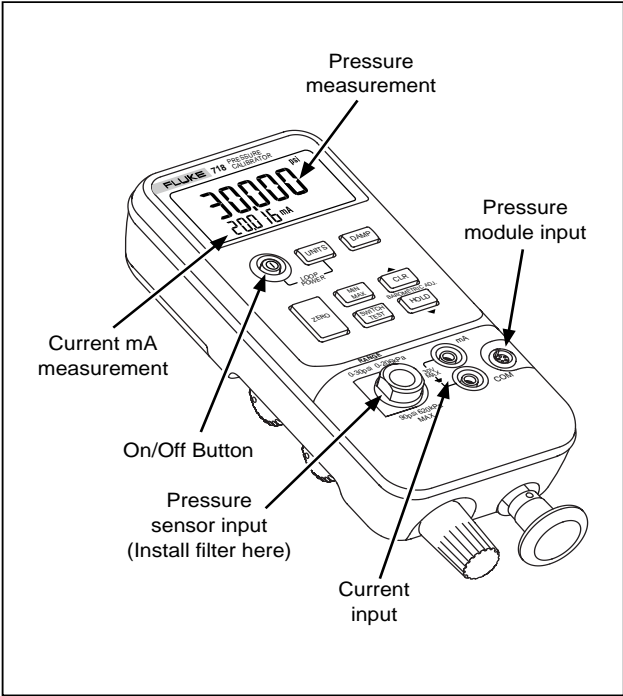
At the bottom of the page add a new section for Power Saver and replace Figure 2 with the following:

Power Saver

The Calibrator automatically turns off after 30 minutes of inactivity. To reduce this time or disable this feature:

1. With the Calibrator OFF, press **Ⓢ**.
2. **P.S. xx** is displayed, where **xx** is the turn-off time in minutes. **OFF** means the power saver is disabled.
3. Press **[HOLD]** to decrease or **[CLR]** to increase the turn-off time.
4. To disable, press **[HOLD]** until the display shows **OFF**.

The Calibrator resumes normal operation after 2 seconds.



wh005f.eps

Figure 2. Front Panel Features

On page 7, Table 4, replace the entry for **MIN**, delete the entry for **MAX** and add an entry for **SWITCH TEST** as shown:

<div style="border: 1px solid black; padding: 2px; text-align: center;"> MIN MAX </div>	Press and hold to read the minimum pressure and current readings since power was turned on or CLR was pressed. Press again to read the maximum pressure and current readings since power was turned on or CLR was pressed
<div style="border: 1px solid black; padding: 2px; text-align: center;"> SWITCH TEST </div>	Press to perform switch test.

Add the Switch Test section as follows:

Switch Test

To perform a switch test follow these steps:


Note

This example used a normally closed switch. The procedure is the same for an open switch but the display reads OPEN instead of CLOSE.

1. Connect the Calibrator mA and COM terminals to the switch using the pressure switch terminals and connect the pump from the Calibrator to the pressure switch. The polarity of the terminals does not matter.




Note

If using an external pump, connect the pump to the calibrator and to the input of the switch using a tee fitting.

2. Make sure the vent on the pump is open and zero the Calibrator if necessary. Close the vent after Zeroing the Calibrator.
3. Press  to enter pressure switch test mode. The Calibrator will display CLOSE instead of a mA measurement.
4. Apply pressure with the pump slowly until the switch opens.

Note

In the switch test mode, the display update rate is increased to help capture changing pressure inputs. Even with this enhanced sample rate, pressuring the device under test should be done slowly to ensure accurate readings.

5. OPEN is displayed once the switch is open. Bleed the pump slowly until the pressure switch closes. RCL appears on the display.
6. Press  to read the pressure values for when the switch opened, for when it closed, and for the deadband.
7. Hold  for three seconds to exit the switch test or press  to reset the switch test.

On page 20, delete the entire section on Replacing the Fuse.

On page 21, Table 8, delete the F1 line and replace AC70A with AC72.

On page 23, replace Figure 10 with the following:

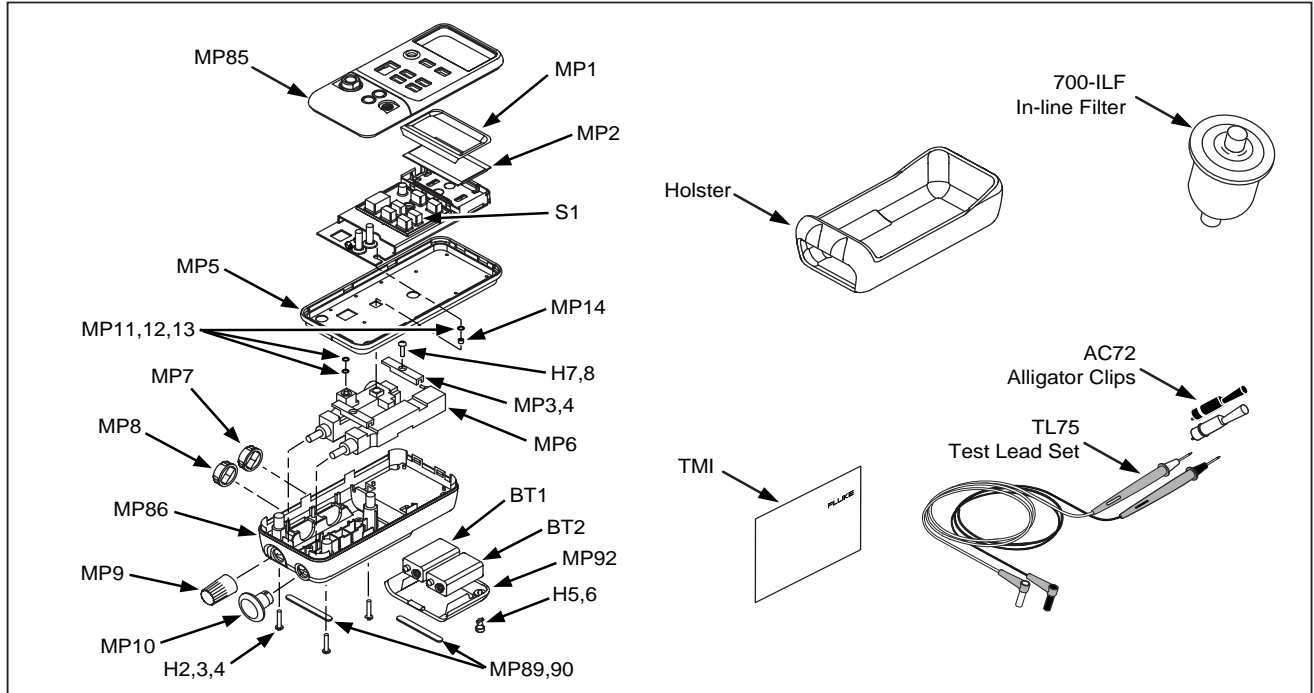


Figure 10. Replacement Parts

wh004f.eps

On page 24, under DC mA Input, 718 30G and 718 100G, replace the Overload protection entry with:
Fuseless overvoltage protection